

ASDO DIMENSIONAL DATA

PRODUCT DATA

The components shown are generic and the design of pins, couplers and turnbuckles may change dependent on bar diameter. Turnbuckles and couplers from M105 to M160 have a cross bore instead of spanner flats.

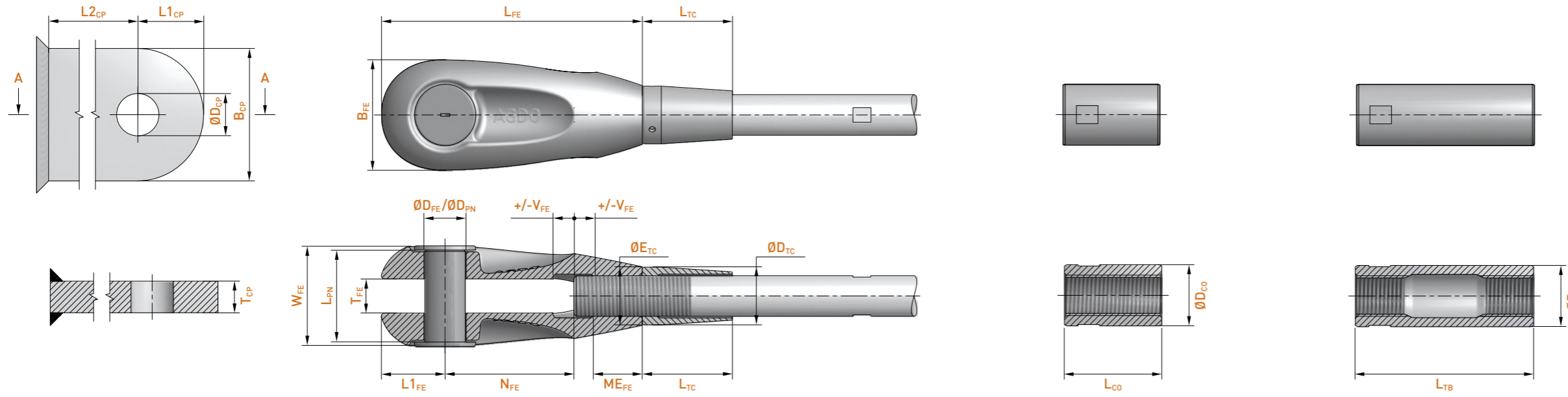


Table 5 - Dimensions for ASDO fittings - all grades (carbon and stainless)

| Nominal size | M12 | M16 | M20 | M24 | M27 | M30 | M36 | M42 | M45 | M48 | M52 | M56 | M60 | M64 | M68 | M72 | M76 | M80 | M85 | M90 | M95 | M100 | M105 | M110 | M115 | M120 | M130 | M140 | M150 | M160 | |
|----------------|--------------------|------|------|------|-----|------|-----|-----|-----|-----|-----|-----|-----|-----|-----|-----|-----|-----|-----|-----|-----|------|------|------|------|------|------|------|------|------|-------|
| FE Fork end | L _{FE} | 77 | 104 | 129 | 155 | 172 | 193 | 232 | 271 | 290 | 310 | 334 | 361 | 386 | 412 | 438 | 463 | 489 | 516 | 547 | 579 | 610 | 645 | 677 | 709 | 742 | 773 | 837 | 901 | 966 | 1,031 |
| | B _{FE} | 33 | 44 | 53 | 65 | 73 | 81 | 98 | 114 | 122 | 130 | 139 | 150 | 159 | 172 | 182 | 193 | 203 | 219 | 230 | 243 | 258 | 271 | 287 | 301 | 316 | 330 | 354 | 381 | 410 | 436 |
| | W _{FE} | 31 | 42 | 50 | 61 | 66 | 77 | 90 | 104 | 108 | 119 | 126 | 139 | 149 | 159 | 167 | 179 | 191 | 196 | 211 | 226 | 237 | 248 | 259 | 271 | 284 | 303 | 327 | 351 | 375 | 405 |
| | T _{FE} | 12 | 17 | 18 | 23 | 23 | 28 | 33 | 38 | 38 | 44 | 44 | 49 | 54 | 59 | 59 | 64 | 69 | 74 | 79 | 84 | 89 | 94 | 96 | 101 | 106 | 116 | 126 | 136 | 146 | 156 |
| | ØD _{FE} | 13 | 17 | 21 | 25 | 28 | 32 | 38 | 44 | 47 | 50 | 54 | 58 | 62 | 66 | 70 | 74 | 78 | 82 | 87 | 92 | 97 | 102 | 108 | 113 | 118 | 123 | 133 | 143 | 153 | 163 |
| | L _{1FE} | 19 | 26 | 31 | 38 | 42 | 47 | 57 | 66 | 71 | 76 | 81 | 88 | 93 | 100 | 106 | 112 | 119 | 128 | 133 | 140 | 150 | 160 | 167 | 175 | 184 | 191 | 207 | 222 | 239 | 255 |
| | M _{FE} | 14 | 19 | 24 | 29 | 32 | 36 | 43 | 50 | 54 | 58 | 62 | 67 | 72 | 77 | 82 | 86 | 91 | 96 | 102 | 108 | 114 | 120 | 126 | 132 | 138 | 144 | 156 | 168 | 180 | 192 |
| | N _{FE} | 38 | 51 | 64 | 76 | 84 | 95 | 114 | 134 | 143 | 152 | 166 | 181 | 196 | 210 | 225 | 240 | 254 | 267 | 287 | 306 | 321 | 340 | 359 | 377 | 395 | 413 | 449 | 486 | 522 | 559 |
| | +/-V _{FE} | 6 | 8 | 10 | 12 | 13,5 | 15 | 18 | 21 | 23 | 24 | 25 | 25 | 25 | 25 | 25 | 25 | 25 | 25 | 25 | 25 | 25 | 25 | 25 | 25 | 25 | 25 | 25 | 25 | 25 | 25 |
| | Weight [kg] | 0.17 | 0.42 | 0.83 | 1.4 | 2.0 | 2.8 | 4.8 | 7.6 | 9.4 | 11 | 15 | 18 | 22 | 27 | 33 | 39 | 45 | 51 | 63 | 74 | 85 | 100 | 119 | 136 | 156 | 177 | 221 | 277 | 340 | 417 |

| Nominal size | M12 | M16 | M20 | M24 | M27 | M30 | M36 | M42 | M45 | M48 | M52 | M56 | M60 | M64 | M68 | M72 | M76 | M80 | M85 | M90 | M95 | M100 | M105 | M110 | M115 | M120 | M130 | M140 | M150 | M160 | |
|--------------|------------------|------|------|------|------|------|------|------|-----|-----|-----|-----|-----|-----|-----|-----|-----|-----|-----|-----|-----|------|------|------|------|------|------|------|------|------|-----|
| PN Pin | ØD _{PN} | 12 | 16 | 20 | 24 | 27 | 30 | 36 | 42 | 45 | 48 | 52 | 56 | 60 | 64 | 68 | 72 | 76 | 80 | 85 | 90 | 95 | 100 | 105 | 110 | 115 | 120 | 130 | 140 | 150 | 160 |
| | L _{PN} | 30 | 40 | 47 | 57 | 63 | 73 | 85 | 97 | 102 | 111 | 120 | 129 | 140 | 151 | 157 | 166 | 175 | 182 | 195 | 205 | 218 | 229 | 241 | 250 | 277 | 301 | 323 | 344 | 365 | |
| | Weight [kg] | 0.03 | 0.07 | 0.14 | 0.25 | 0.34 | 0.46 | 0.81 | 1.2 | 1.5 | 2 | 2 | 3 | 4 | 5 | 5 | 6 | 7 | 8 | 11 | 12 | 14 | 16 | 19 | 22 | 25 | 29 | 37 | 46 | 57 | 71 |

| Nominal size | M12 | M16 | M20 | M24 | M27 | M30 | M36 | M42 | M45 | M48 | M52 | M56 | M60 | M64 | M68 | M72 | M76 | M80 | M85 | M90 | M95 | M100 | M105 | M110 | M115 | M120 | M130 | M140 | M150 | M160 | |
|------------------------|------------------------|-----|-----|-----|-----|-----|-----|-----|-----|-----|-----|-----|-----|-----|-----|-----|-----|-----|-----|-----|-----|------|------|------|------|------|------|------|------|------|-----|
| CP Connection plate | T _{CP} | 10 | 15 | 15 | 20 | 20 | 25 | 30 | 35 | 35 | 40 | 45 | 50 | 55 | 55 | 60 | 65 | 70 | 75 | 80 | 85 | 90 | 90 | 95 | 100 | 110 | 120 | 130 | 140 | 150 | |
| | B _{CP} | 42 | 56 | 68 | 80 | 90 | 104 | 122 | 142 | 152 | 160 | 174 | 186 | 200 | 212 | 224 | 238 | 250 | 264 | 280 | 296 | 312 | 328 | 346 | 362 | 378 | 394 | 426 | 458 | 490 | 522 |
| | ØD _{CP} | 13 | 17 | 21 | 25 | 28 | 32 | 38 | 44 | 47 | 50 | 54 | 58 | 62 | 66 | 70 | 74 | 78 | 82 | 87 | 92 | 97 | 102 | 108 | 113 | 118 | 123 | 133 | 143 | 153 | 163 |
| | L _{1CP} | 21 | 28 | 34 | 40 | 45 | 52 | 61 | 71 | 76 | 80 | 87 | 93 | 100 | 106 | 112 | 119 | 125 | 132 | 140 | 148 | 156 | 164 | 173 | 181 | 189 | 197 | 213 | 229 | 245 | 261 |
| | L _{2CP} (min) | 29 | 36 | 46 | 53 | 57 | 62 | 72 | 81 | 86 | 91 | 101 | 108 | 113 | 120 | 126 | 132 | 139 | 148 | 153 | 160 | 170 | 180 | 192 | 200 | 209 | 216 | 232 | 247 | 264 | 280 |

| Nominal size | M12 | M16 | M20 | M24 | M27 | M30 | M36 | M42 | M45 | M48 | M52 | M56 | M60 | M64 | M68 | M72 | M76 | M80 | M85 | M90 | M95 | M100 | M105 | M110 | M115 | M120 | M130 | M140 | M150 | M160 | |
|----------------------------|------------------|------|------|------|-----|-----|-----|-----|-----|-----|-----|-----|-----|-----|-----|-----|-----|-----|-----|-----|-----|------|------|------|------|------|------|------|------|------|-----|
| TC Locking thread cover | ØE _{TC} | 17 | 23 | 29 | 35 | 39 | 42 | 51 | 60 | 64 | 69 | 75 | 81 | 87 | 92 | 99 | 104 | 110 | 113 | 122 | 129 | 134 | 143 | 152 | 158 | 166 | 173 | 187 | 202 | 216 | 232 |
| | L _{TC} | 30 | 40 | 50 | 55 | 60 | 70 | 80 | 95 | 100 | 110 | 115 | 120 | 120 | 135 | 135 | 135 | 135 | 140 | 140 | 140 | 140 | 140 | 140 | 140 | 140 | 140 | 140 | 140 | 140 | |
| | Weight [kg] | 0.03 | 0.05 | 0.09 | 0.1 | 0.2 | 0.3 | 0.4 | 0.7 | 0.8 | 1.1 | 1.3 | 1.6 | 1.8 | 2.2 | 2.7 | 2.9 | 3.3 | 3.6 | 4.2 | 4.7 | 4.9 | 5.7 | 6.6 | 7.0 | 7.8 | 8.6 | 10 | 12 | 13 | 15 |

| Nominal size | M12 | M16 | M20 | M24 | M27 | M30 | M36 | M42 | M45 | M48 | M52 | M56 | M60 | M64 | M68 | M72 | M76 | M80 | M85 | M90 | M95 | M100 | M105 | M110 | M115 | M120 | M130 | M140 | M150 | M160 | |
|------------------|--------------------|------|------|------|-----|-----|-----|-----|-----|-----|-----|-----|-----|-----|-----|-----|-----|-----|-----|-----|-----|------|------|------|------|------|------|------|------|------|-----|
| TB Turnbuckle | ØD _{TB} | 20 | 27 | 36 | 42 | 48 | 51 | 60 | 70 | 76 | 83 | 89 | 95 | 102 | 108 | 114 | 121 | 127 | 133 | 140 | 152 | 159 | 171 | 178 | 191 | 194 | 203 | 219 | 241 | 254 | 273 |
| | L _{TB} | 53 | 70 | 88 | 106 | 119 | 132 | 158 | 185 | 198 | 211 | 225 | 234 | 244 | 254 | 263 | 273 | 282 | 292 | 304 | 326 | 338 | 350 | 387 | 399 | 411 | 423 | 447 | 471 | 495 | 519 |
| | +/-V _{TB} | 12 | 16 | 20 | 24 | 27 | 30 | 36 | 42 | 45 | 48 | 50 | 50 | 50 | 50 | 50 | 50 | 50 | 50 | 50 | 50 | 50 | 50 | 50 | 50 | 50 | 50 | 50 | 50 | 50 | 50 |
| | Weight [kg] | 0.09 | 0.16 | 0.32 | 0.6 | 0.9 | 1.2 | 1.8 | 2.8 | 3.3 | 3.9 | 5.4 | 6.2 | 8.5 | 10 | 12 | 14 | 16 | 18 | 20 | 24 | 30 | 34 | 42 | 49 | 62 | 61 | 82 | 96 | 115 | 147 |

| Nominal size | M12 | M16 | M20 | M24 | M27 | M30 | M36 | M42 | M45 | M48 | M52 | M56 | M60 | M64 | M68 | M72 | M76 | M80 | M85 | M90 | M95 | M100 | M105 | M110 | M115 | M120 | M130 | M140 | M150 | M160 | |
|---------------|------------------|------|------|------|-----|-----|-----|-----|-----|-----|-----|-----|-----|-----|-----|-----|-----|-----|-----|-----|-----|------|------|------|------|------|------|------|------|------|-----|
| CO Coupler | ØD _{CO} | 20 | 27 | 36 | 42 | 48 | 51 | 60 | 70 | 76 | 83 | 89 | 95 | 102 | 108 | 114 | 121 | 127 | 133 | 140 | 152 | 159 | 171 | 178 | 191 | 194 | 203 | 219 | 241 | 254 | 273 |
| | L _{CO} | 29 | 39 | 48 | 58 | 65 | 72 | 87 | 101 | 108 | 116 | 125 | 135 | 144 | 154 | 164 | 173 | 183 | 192 | 204 | 226 | 238 | 250 | 287 | 299 | 311 | 323 | 347 | 371 | 395 | 419 |
| | Weight [kg] | 0.05 | 0.09 | 0.17 | 0.3 | 0.5 | 0.7 | 1.1 | 1.7 | 2.0 | 2.3 | 3.2 | 3.9 | 5.3 | 6.3 | 7.8 | 9.2 | 11 | 12 | 14 | 17 | 22 | 25 | 32 | 37 | 47 | 47 | 65 | 77 | 93 | 119 |

All dimensions in mm unless noted otherwise